

MOTOR  
115 OR 208  
/230VAC  
1Ph, 60Hz  
HP

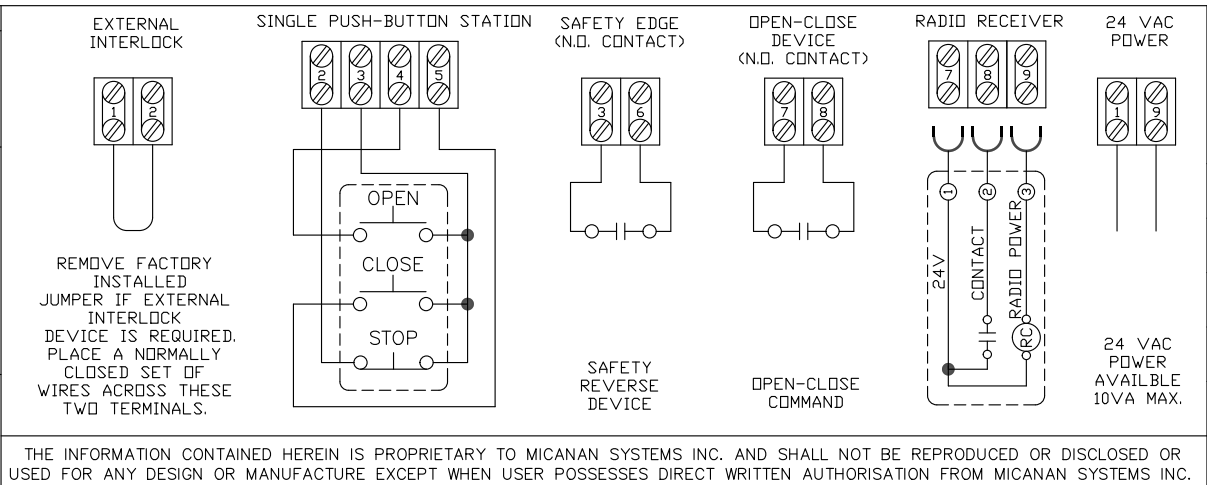
TO REVERSE  
MOTOR ROTATION,  
INTER-CHANGE BLACK  
AND WHITE WIRES  
ON REVERSING STARTER.

**CIRCUIT DESCRIPTION.**

1. 24VAC CONTROL CIRCUIT.  
2. OPEN/CLOSE/STOP COMMANDS.  
3. SAFETY REVERSE.  
4. PRE-WIRE FOR RADIO-CONTROLS, LOOP DETECTORS, PHOTOCELLS ETC.

**TIMER TO CLOSE FUNCTION:**  
AUTOMATIC TIMER TO CLOSE IS ACTIVATED WHEN DOOR IS FULLY OPEN. TIMER IS RESET BY OPEN-DOOR DEVICE AND SAFETY DEVICE.  
\*THIS OPERATOR LEAVES THE FACTORY WITH RADIO CONTROL TO OPEN ONLY AND REFRESH TIMER. IF RADIO CONTROL IS REQUIRED TO OPEN AND CLOSE, REMOVE BLUE WIRE FROM TB4 (OR FROM TIME-DELAY (IF USED)) AND PLACE ON TB8.  
NOTE: FOR SAFETY REASONS, MICANAN DOES NOT RECOMMEND THAT THE RADIO CONTROL CLOSE THE DOOR WHEN A TIMER IS USED.

**TIME DELAY UPON REVERSE:**  
IF 1.5 SEC. TIME DELAY UPON REVERSE IS REQUIRED, REMOVE THE PURPLE AND BLUE WIRES FROM TERMINAL #4 AND CONNECT TO ONE END OF TIME-DELAY AND CONNECT THE OTHER END, BACK TO TERMINAL #4.



		TECH. HELP LINE:	
		CANADA: 1-(877) 888-1116 USA: 1-(888) 816-8584	
TITLE	1-PHASE WIRING SCHEMATIC		
DWG. NO.	MS100TC-S		
VERIFIED BY	C.S.	DATE	REV
		14.04.09	F
CLIENT			
PROJECT			
MANUFACTURER	MICANAN SYSTEMS INC.		