

PRO-APT ARCHITECTURAL SHOP DRAWING

Date: _____
 Page: _____ of _____
 Drawing No.: _____
 Architect/ Engineer: _____
 Contractor: _____
 Customer: _____

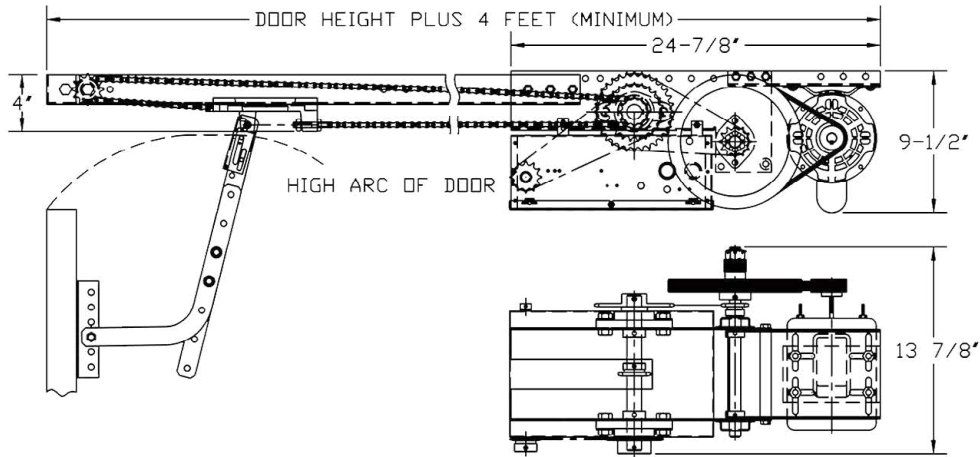
FULL LOAD AMP RATING CHART (AMPS)

VOLTAGE	1/2 HP	3/4 HP
115V 1-Φ, 60 HZ	8.5	11.6
230V 1-Φ, 60 HZ	4.2	6.0
230V 1-Φ, 50 HZ	3.1	5.6
208/230V 3-Φ, 60 HZ	2.1	2.8
380V 3-Φ, 50 HZ	1.1	1.4
460V 3-Φ, 60 HZ	1.1	1.5
575V 3-Φ, 60 HZ	1.0	1.2

Control Wiring Option: _____

Number of Operators: _____
 Horsepower: _____
 Volts: _____
 Phase: _____
 Hertz: _____
 Type of Door: _____
 Door Width/ Height: _____ W x _____ H
 Operator Nema Rating: _____
 OPEN/ CLOSE/ STOP Control Stations: _____

- A** Relay Logic, timer to close, interface module (monitored reversing device supplied)
- B** Relay Logic, dual timer for traffic lights, interface module (monitored reversing device supplied)
- C** Smart 10.0 logic board (monitored reversing device supplied)
- D** Smart 10.0 logic board w/ auxiliary apt board for traffic lights (monitored reversing device supplied)
- E** Relay Logic, timer to close (not available in US or other areas where UL325 is mandated)
- F** Relay Logic, dual timer for traffic lights (not available in US or other areas where UL325 is mandated)



ADDITIONAL EQUIPMENT OR OPTIONS
